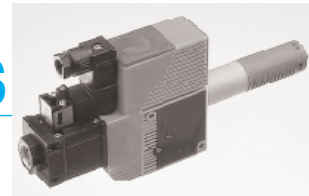
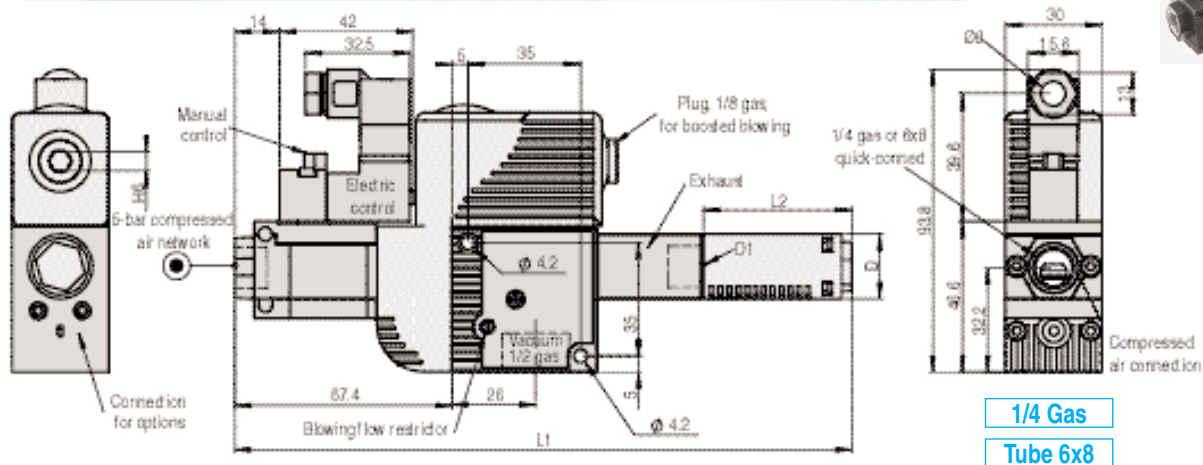


Controlled venturis with automatic blow-off, series GVCS



2



1/4 Gas
Tube 6x8

Applications:

Vacuum generators in series GVCS are of identical design to series GVC. Their special feature is **vacuum generation control** by means of an integrated valve.

The valve control function speeds up response times and makes wiring easier by integrating all functions. For longer blow-off, see the GVPD range. The addition of a 1/8 gas type coupling on the unit allows the connection of a supplementary compressed air tank to increase the **blowing capacity**, e.g. for large-diameter suction cups.

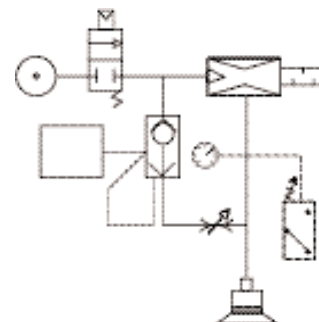
Characteristics:

Characteristics	Nozzle \varnothing	Air consumption	Max. vacuum as %		Drawn-in air NI/mn		D mm	D1 Gas	L1* mm		L2 mm	
			T	N	T	N			S	K		
Models	mm	NI/min	T	N	T	N	N/T	N/T	N/T	S	K	
GVCS 12	1.2	67	75	90	63	45	20	1/4	181.4	45	68	
GVCS 15	1.5	100	75	90	95	70	20	1/4	191.4	45	68	

On standard basis, supplied with silencer S.
(* L1 equipped with standard silencer)

Specifications:

Compressed air	Filtered, non-lubricated, 2 to 6 bars
Temperature	0 to 60°C
Capacity material	DELIRIN 500, grey and blue
Optimum pressure	5 bars
Blowing flow rate	Adjustable by flow restrictor.
N° of valve operations	15 million
Operating frequency	2 Hz maximum
Function	N.C.
Function	N.O. at 24 V DC on request
Valve / body material	DELIRIN 100



Options:

See pages 28 to 31.
Possibility of increasing capacity volume.

GVCS 1 2 3 4 5

1: Nozzle	
12	1.2 mm
15	1.5 mm

2: Characteristics	
T	75% vacuum
N	90% vacuum

3: Silencer	
-	Without silencer
S	Large reduction in dB
K	Through type

4: C.A. coupling	
14	1/4 Gas BSPP
68	tube 6x8 calibrated

5: Control	
P1	Pneumatic
E1	24 V DC, N.C.
E2	220 V- 50 Hz
E3	24 V AC
E6	24 V DC, N.O.
E..	Others, page 37

Note: Versions N and T: silencer S and K • Version X: silencer K
Curves and characteristics on pages 33 and 34.